



2024 Mullen ONE & CAMPUS Upfit Guide

Contact Info:

Email: KJoye@Mullenusa.com

Cell: 313-569-2440

Mullen Upfitter Integration

5755 New King Court

Troy, Mi. 48098

- 5.1 Model Chart
 - Vehicle Chassis Specs
- 6.1 Vehicle / General Arrangement
 - Body Exterior
- 7.1 Cargo Weight Distribution
- 8.1 Exterior Door Openings
- 9.1 Roof Bow Locations
- 10.1 Cargo Interior
- 11.1 Interior Tie-Downs
- 12.1 Interior H- Point

Index

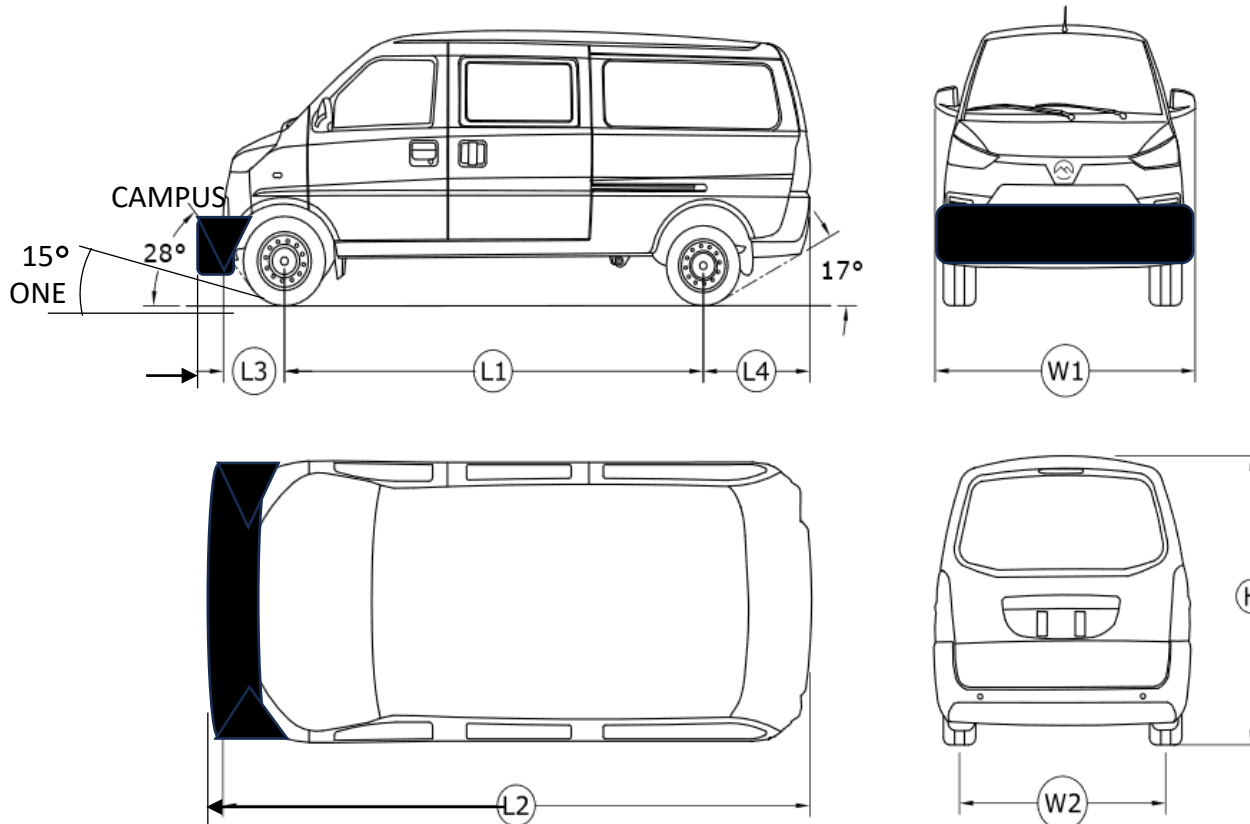
- 13.1 Spare Tire Location
- 14.1 Front Axle
 - Track / Clearance
- 15.1 Rear Axle
 - Track / Clearance
- 16.1 Upfitter Electrical Interface
- 17.1 Electrical No Drill Zones
- 18.1 Air Bag Deployment Zones
- 19.1 Air Bag Deployment Zones cont.

Model Chart



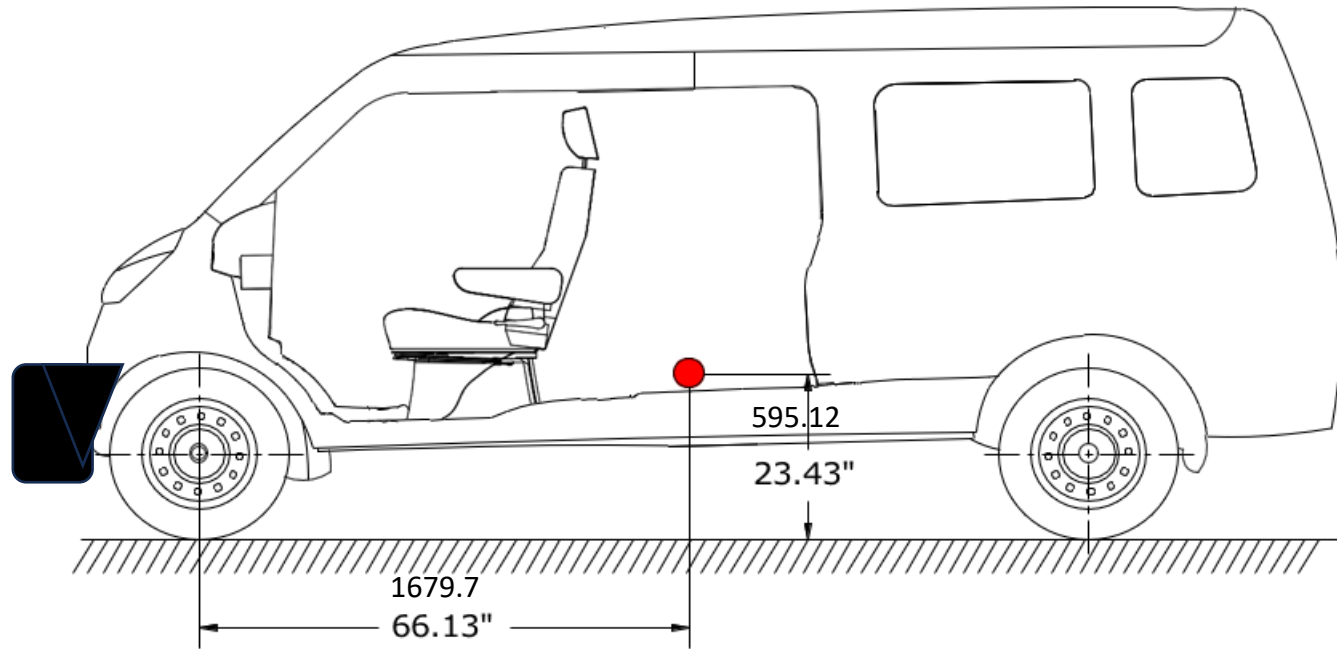
Model	Body Style	Wheelbase (mm/in)	GVWR (kg/lbs)	GAWR (kg/lbs) Front / Rear	Curb, Front / Rear (kg/lbs)	Max Payload (kg/lbs)
Mullen ONE	Cargo Van	3048 mm 120"	2213 kg 4881 lbs	1135 kg 2497 lbs / 1375 kg 3025 lbs	1450 kg 3198 lbs /	763 kg 1683 lbs
Mullen CAMPUS	Campus Van	3048 mm 120"	2213 kg 4881 lbs	1135 kg 2497 lbs / 1375 kg 3025 lbs	1450 kg 3198 lbs /	763 kg 1683 lbs

Vehicle / General Arrangement



Dimension	Description	mm / inch
L1	WB	3048 / 120"
L2 (CAMPUS)	OAL	4724.4 / 186"
L2 (ONE)	OAL	4940.3 / 194.5"
L3 (CAMPUS)	BA	533.4 / 21"
L3 (ONE)	BA	749.3 / 29.5"
L4	AF	889 / 35"
W1	AW	1902.4 / 74.9
W2	Track	1397 / 55"
H	OH	1905 / 75"

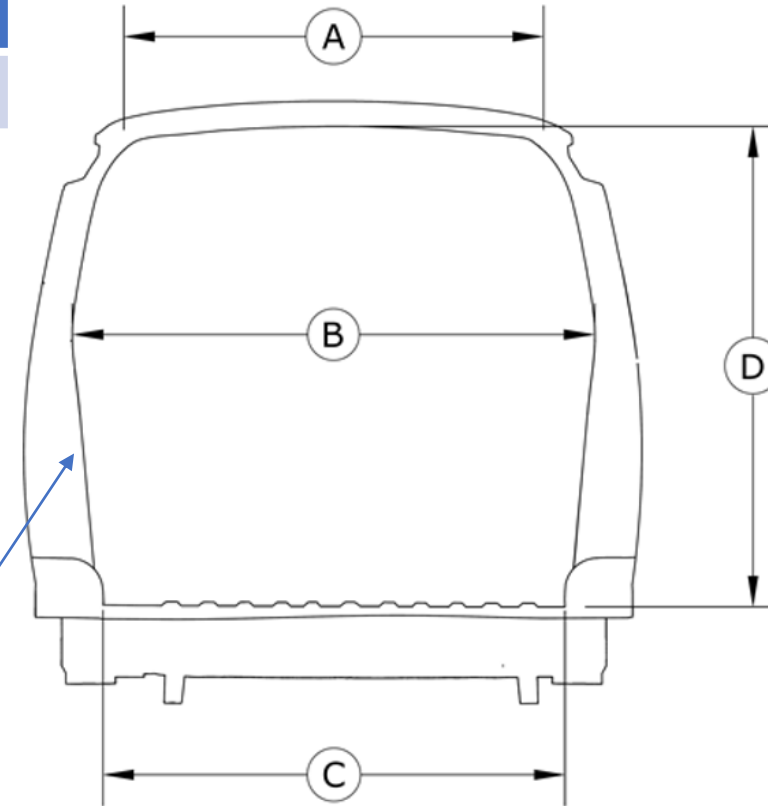
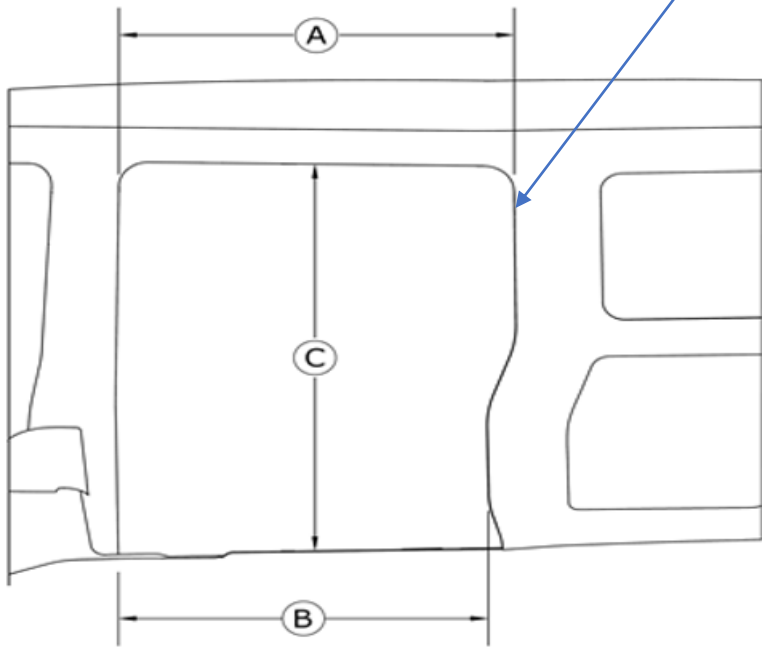
Cargo Weight Distribution



Vertical distance of CG from ground for a completed vehicle should not exceed 27" at GVWR.

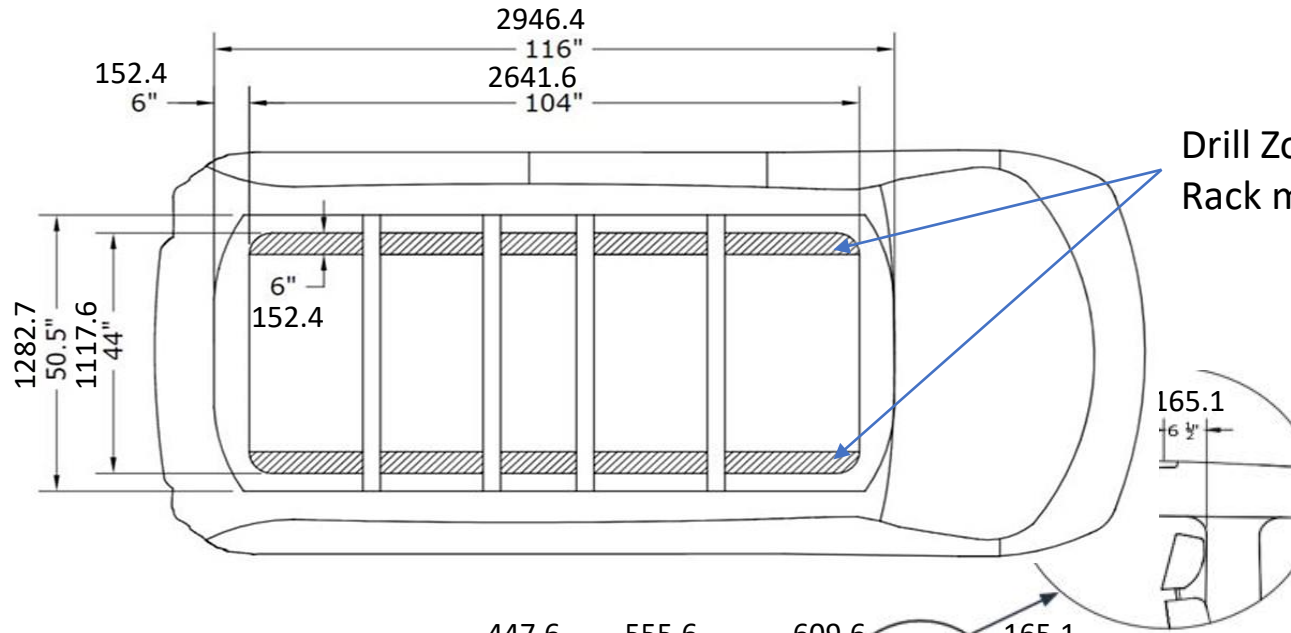
Exterior Door Openings

Side Doors	A	B	C
mm / inch	873.7 / 34.4"	800.1 / 31.5	1092.2 / 43"



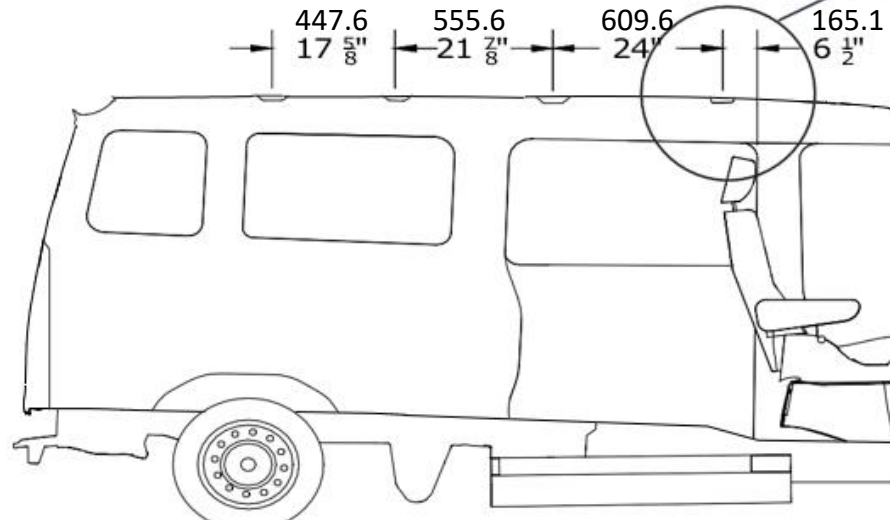
Rear Door	A	B	C	D
mm / inch	1041.4 / 41"	1206.5 / 47.5	1193.8 / 47"	1193.8 / 47"

Roof Bow Locations



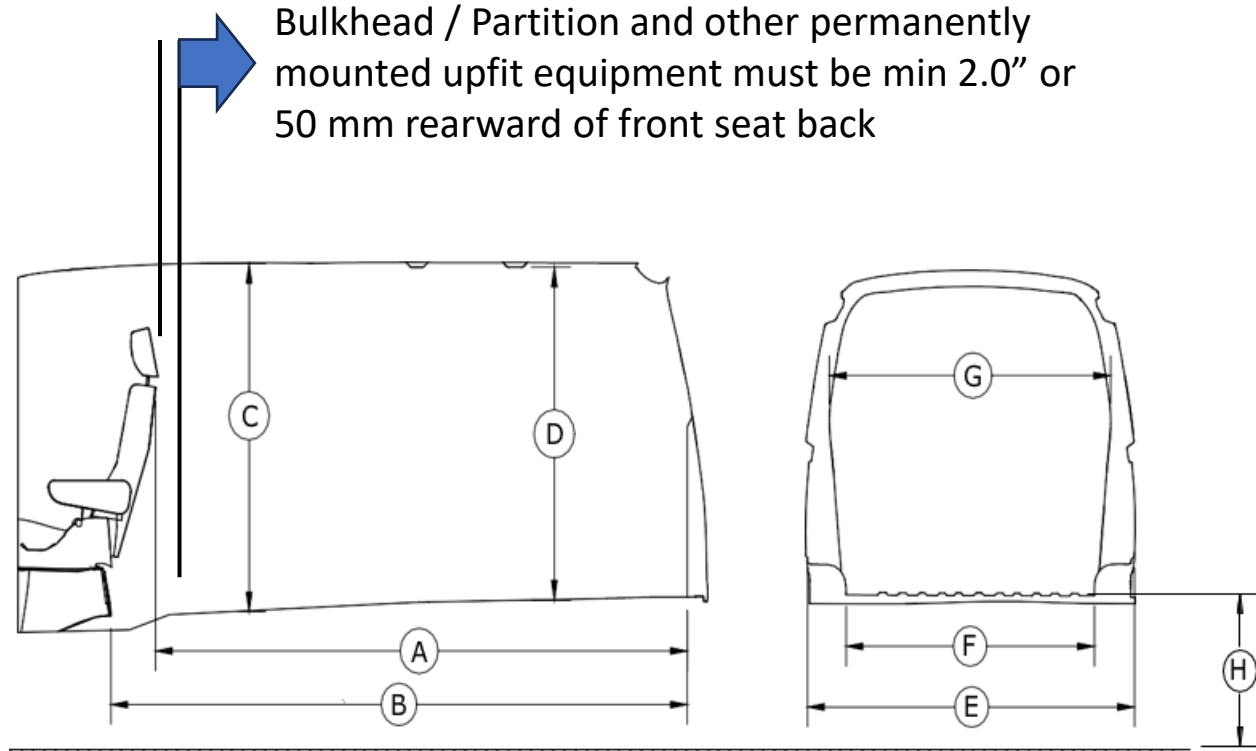
Drill Zones for Roof Rack mounting

Load Rating	Lbs. / kg
Max Payload	1683 / 763 kg
Curb Weight	3198 / 1450.5 kg
GVWR	4881 / 2213 kg
Roof Payload	300 / 136 kg



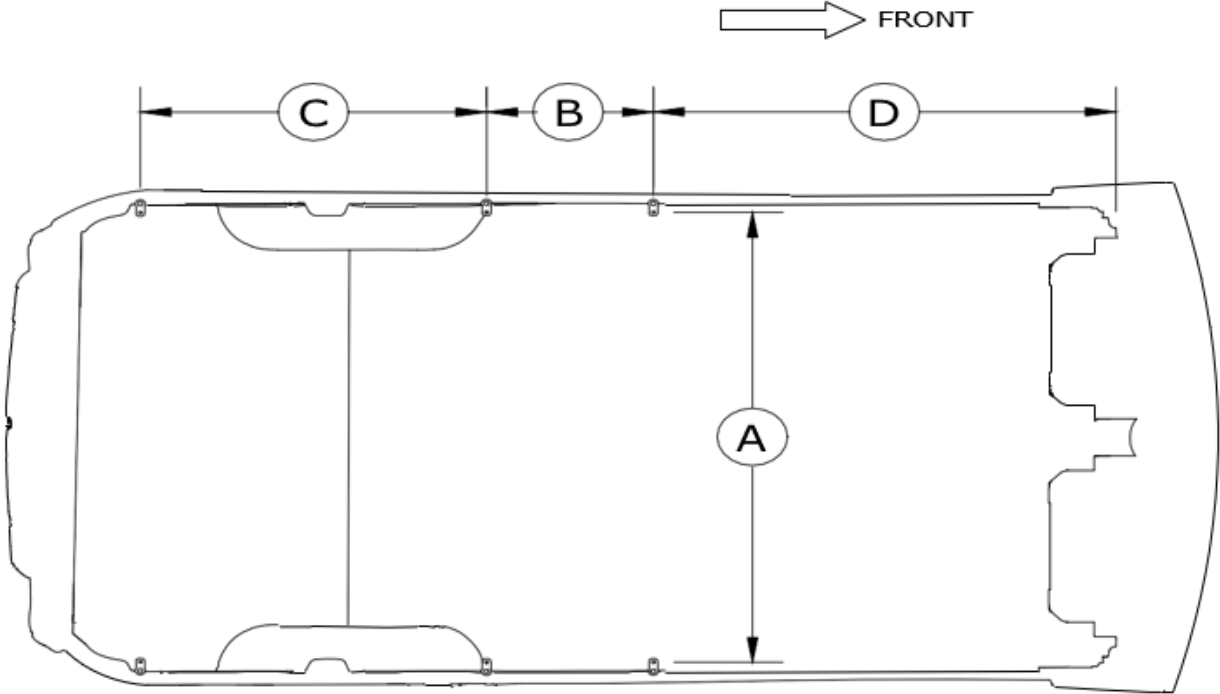
- Ladder racks must be designed and mounted to distribute the load evenly across the roof. Any unbalanced un-symmetric loading is not recommended.
- Never exceed maximum roof rack load capacity.
- Ensure that installation of ladder rack assemblies does not interfere/cover the satellite radio antenna (if equipped).
- Ensure all the holes/cut-outs made on the roof for mounting ladder rack are properly sealed to avoid water or dust ingress.

Interior Cargo Space



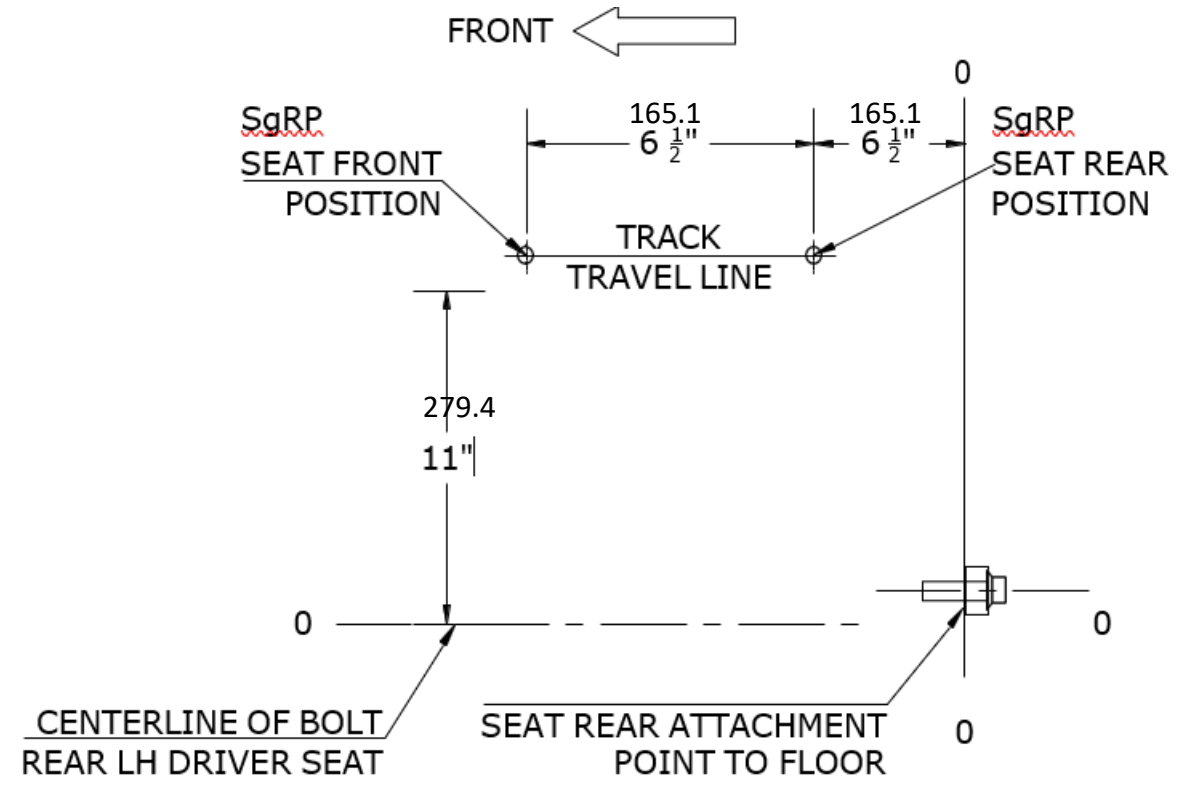
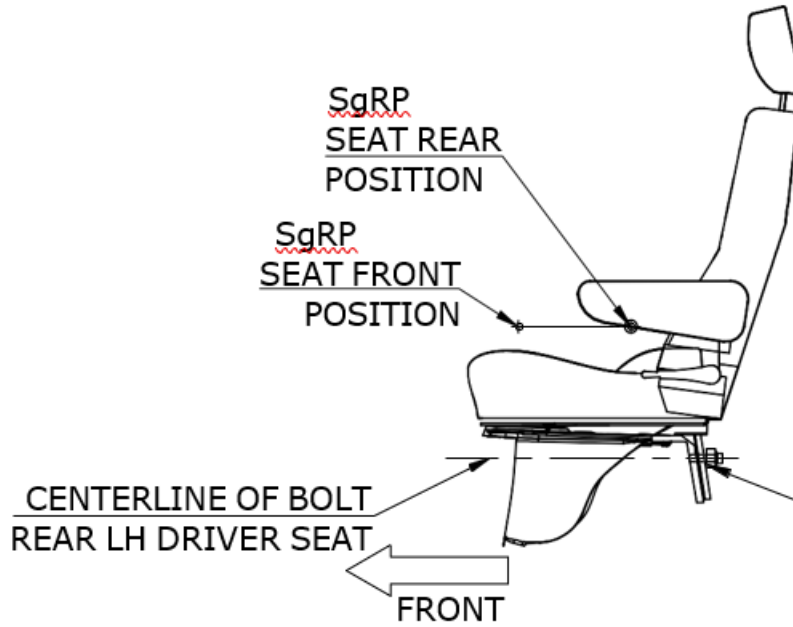
Dimension	mm / inch
A	2679.7 / 105.5"
B	2654.3 / 104.5"
C	1330.9 / 52.4"
D	1259.8 / 49.6"
E	1455.4 / 57.3"
F	1130.3 / 44.5"
G	1155.7 / 45.5"
H	622.3 / 24.5"

Interior Tie Downs

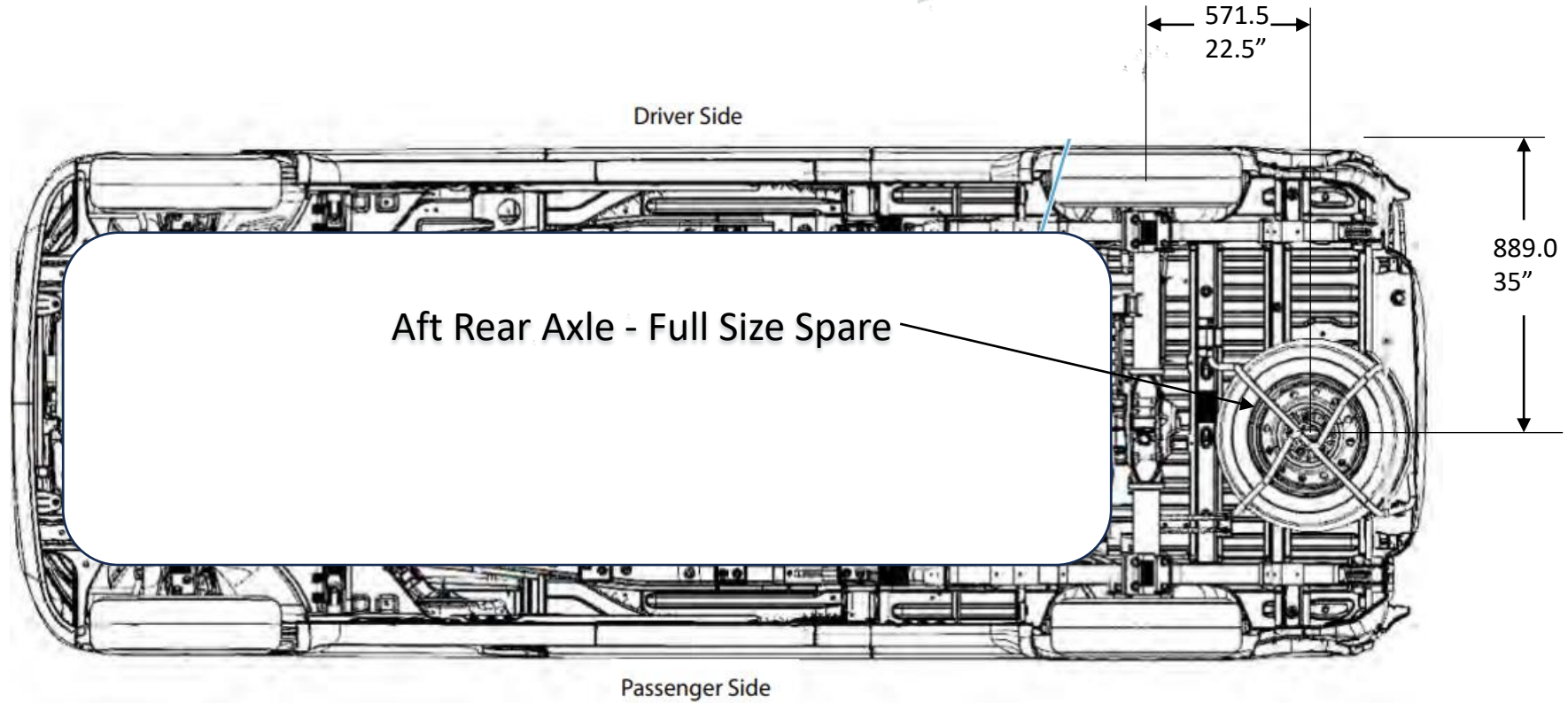


Dimension	A	B	C	D
mm / inch	1381.76 / 54.4"	558.8 / 22"	840.7 / 33.1"	977.9 / 38.5"

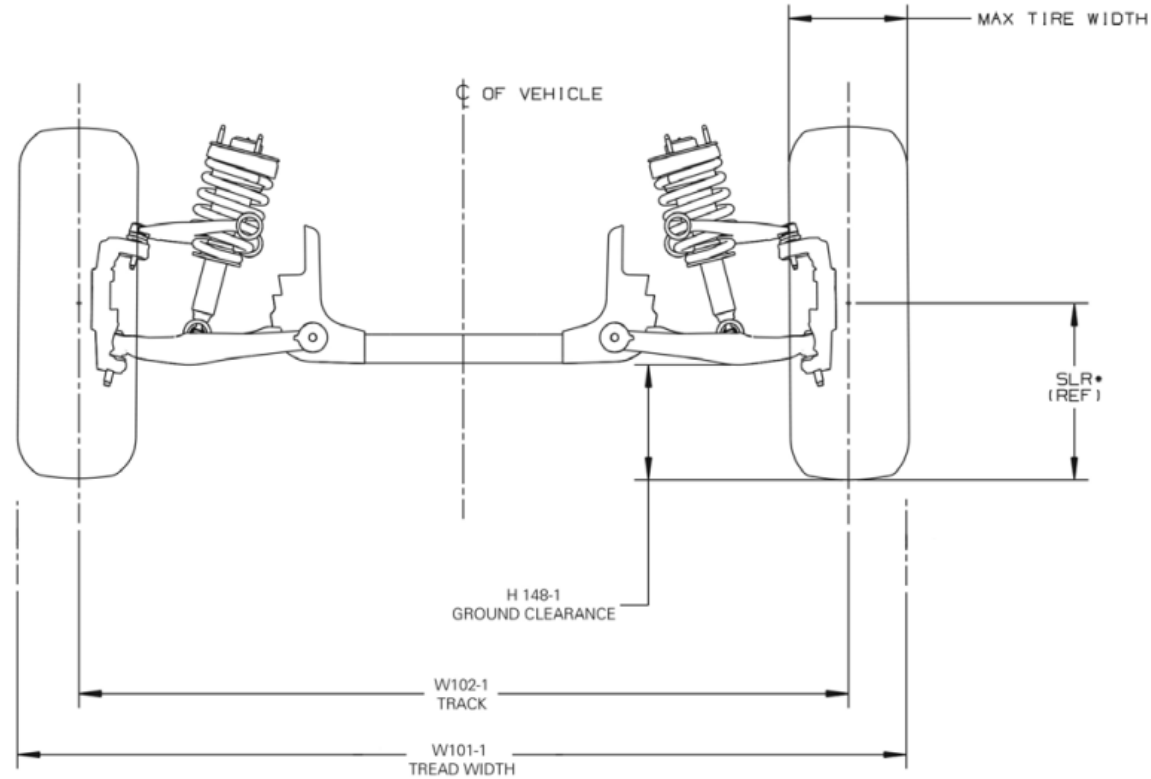
Interior H Point



Chassis / Spare Tire Location

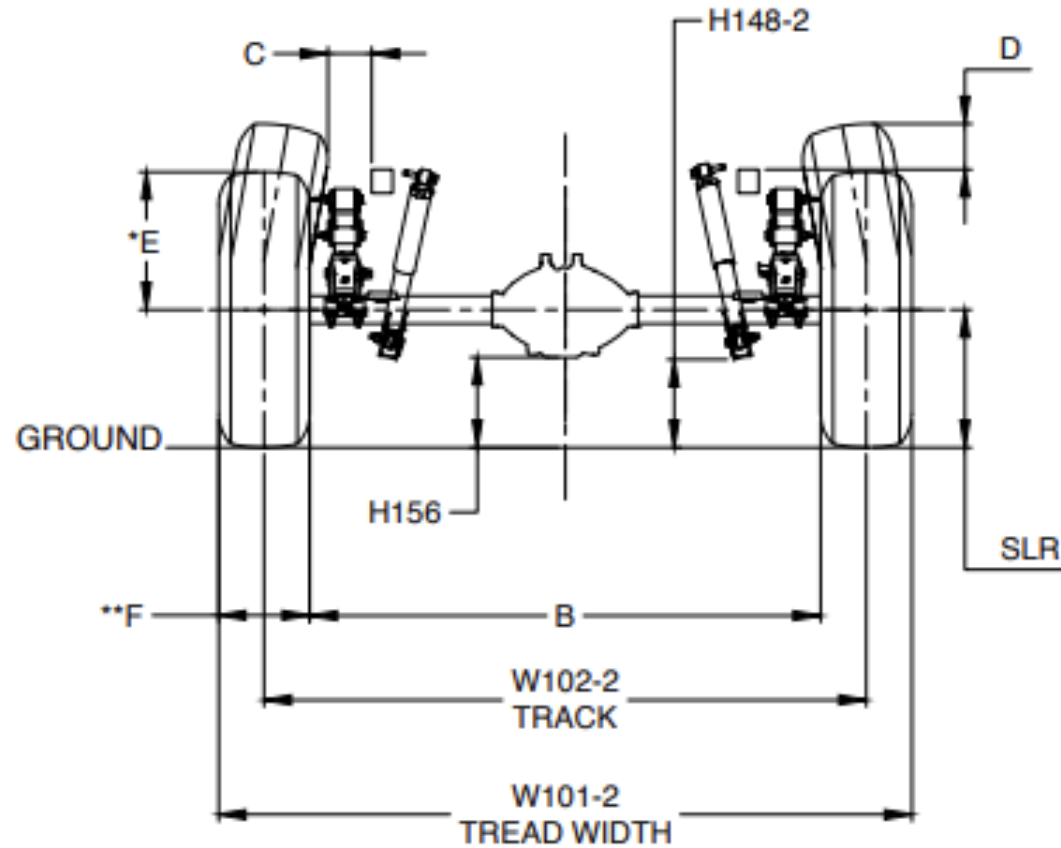


Front Axle



Tire Size/Ply	Front GAWR	Tire Width	H Susp 148-1	Track 102-2	Tread Width	Tire Radius Unloaded / Loaded
175 70R 14 C/6	1135 kg 2497 lbs	190.5 / 7.5"	228.6 / 9"	1371.6 / 54"	1562.1 / 61.5"	299.7 / 11.8" 279.4 / 11"

Rear Axle

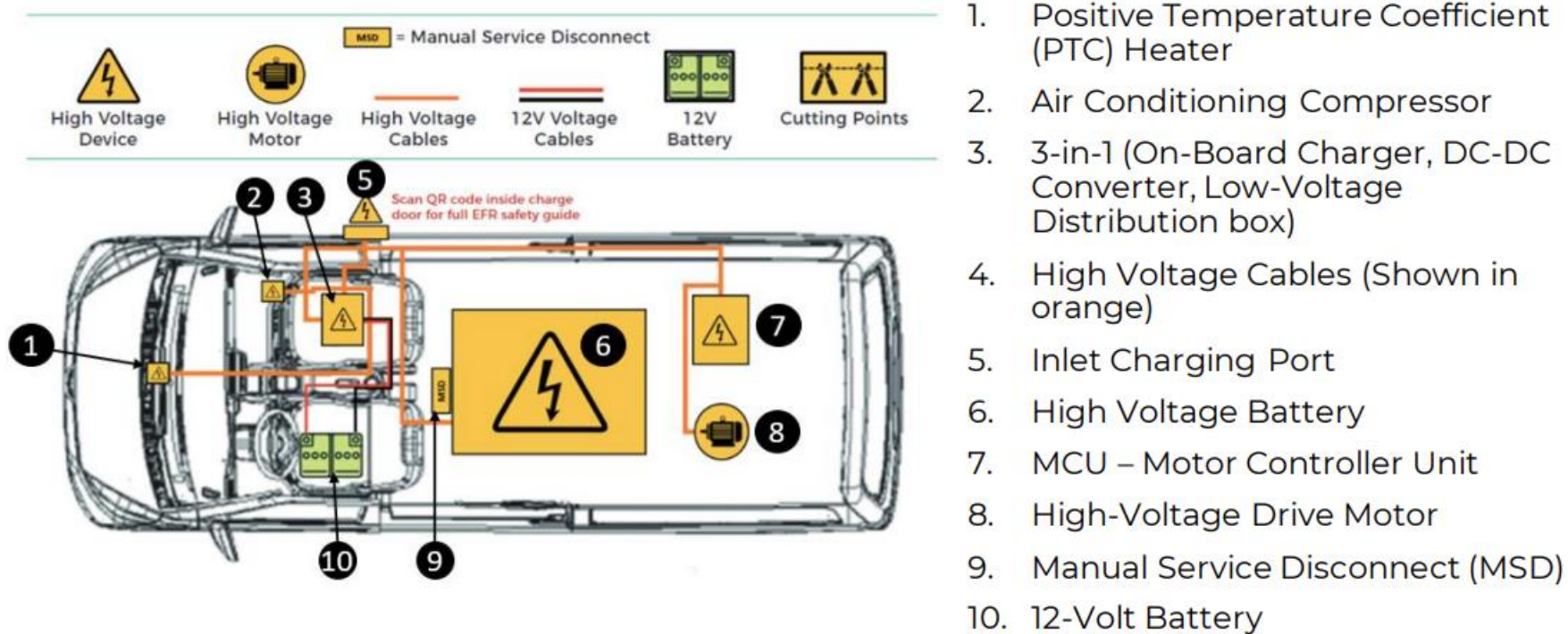


Tire Size/Ply	Rear GAWR	B	C	D	E	F	F	H Shock 148-2	H Axle 156	Track 102-2	Tread Width	Tire Radius Unloaded / Loaded
175 7R 14C / 6	1375 kg 3025 lbs	1181.1 46.5"	114.3 4.5"	TBD	299.7 11.8"	53.3 2.1"	190.5 7.5"	114.3 4.5"	152.4 6"	1409.7 55.5"	1409.7 55.5"	299.7 / 11.8" 279.4 / 11"

• See Mullen Upfitter Integration Documents

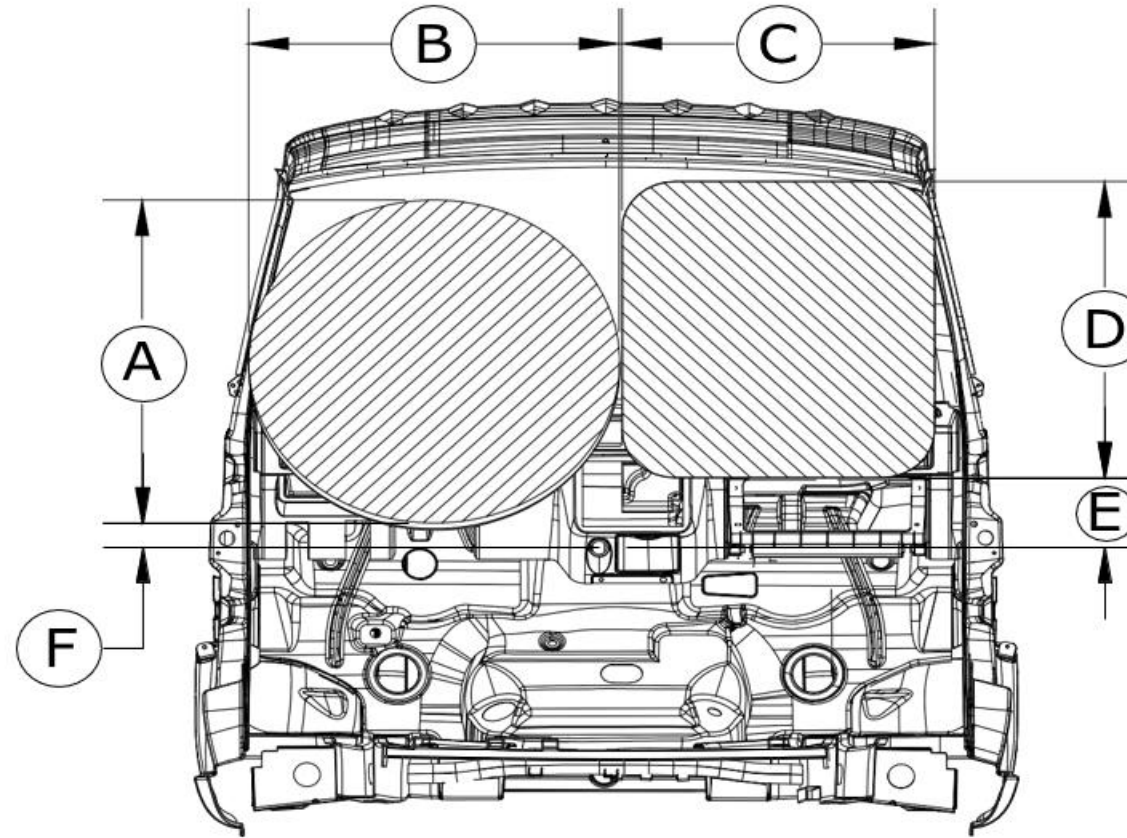
- Bulletin #102 No Drill Zones
- Bulletin #107 Chassis Upfit Electrical Connections
- Mullen ONE Chassis Electrical Guide

High-Voltage Component Overview

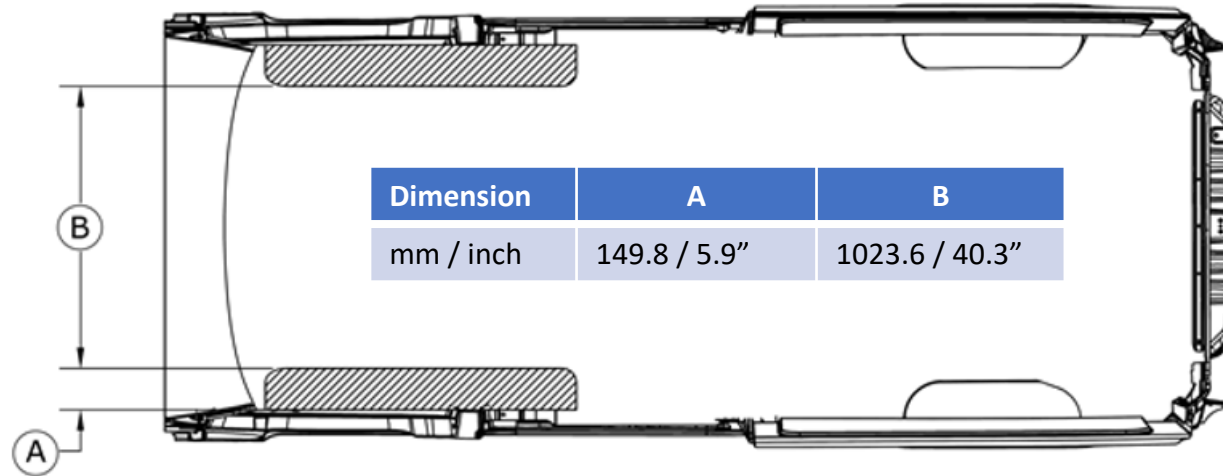


Air Bag Deployment Zones / Mullen ONE

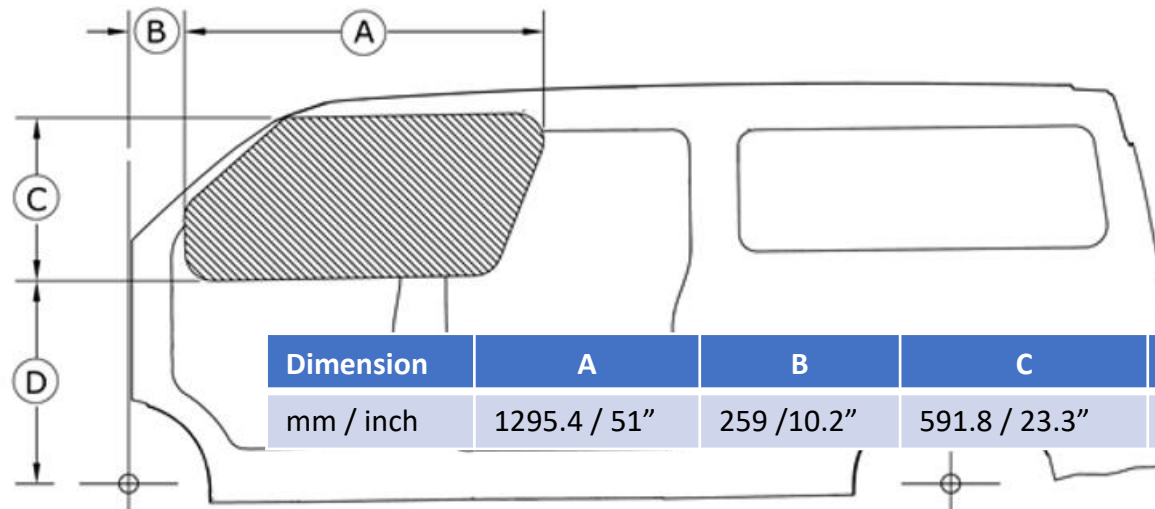
Dimension	A	B	C	D	E	F
mm / inch	698.5 / 27.5"	701 / 27.6"	589.2 / 23.2"	624.8 / 24.6"	157.4 / 6.2"	45.7 / 1.8"



Air Bag Deployment Zones / Mullen ONE



Dimension	A	B
mm / inch	149.8 / 5.9"	1023.6 / 40.3"



Dimension	A	B	C	D
mm / inch	1295.4 / 51"	259 / 10.2"	591.8 / 23.3"	805.1 / 31.7"